

# D'ANDREA

## MONOd'CT

- INDEX
- INHALTSVERZEICHNIS
- ÍNDICE
- INDEX
- INDICE

p. 240



p. 212

DIN 69893 HSK-A  
CT

p. 214

ISO 26623-1 PSC  
CT

p. 240



p. 216

DIN 69871 AD+B  
CT

p. 240

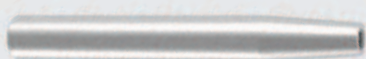


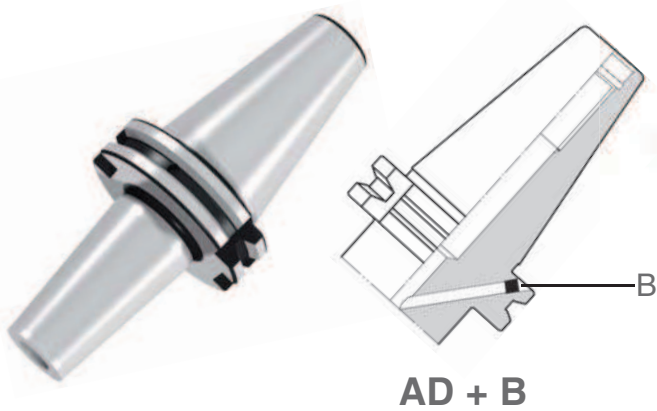
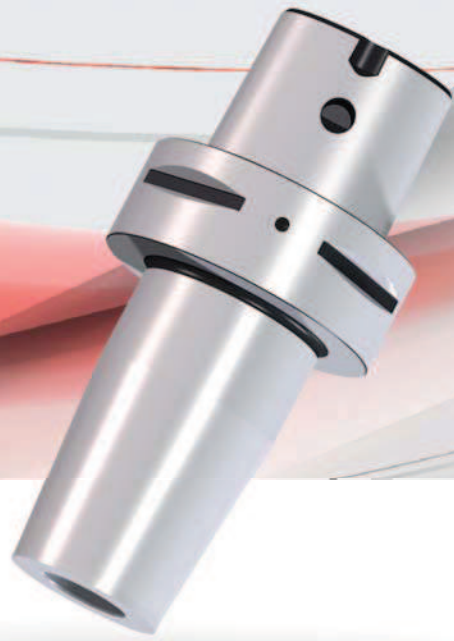
p. 218

MAS 403 BT AD+B  
CT

p. 220

PR CT





*Quality, precision,  
strength and convenience*

- **SHRINK FIT CHUCKS**
- **SCHRUMPFSPANNFUTTER**
- **MANDRILA EMPALME TERMICO**
- **MANDRINS POUR FRETTAGE**
- **MANDRINI A CALETTAMENTO TERMICO**

**GB** The integrated to fit chucks MONOd' CT tool holders represent an ideal solution to equip any type of machine tool with HSK 63 and 100, ISO 26623-1 PSC, DIN AD+B and BT AD+B base arbors, guaranteeing the benefits of a high quality and high precision.

**D** Die vollständigen Werkzeughalter auf schrumpfspannfutter MONOd' CT stellen die ideale Lösung zum Ausstatten jeder Art von Werkzeugmaschine mit Basisanschluss HSK 63 und 100, ISO 26623-1 PSC, DIN AD+B und BT AD+B dar und garantieren die Vorteile hoher Qualität und hohem Präzisionsgrad.

**E** Los portaherramientas integrales a empalme termico MONOd' CT representan la solución ideal para equipar cualquier tipo de máquina herramienta con unión base HSK 63 y 100, SO 26623-1 PSC, DIN AD+B y BT AD+B, garantizando las ventajas de elevada calidad y alto grado de precisión.

**F** Les porte-outils intégraux à frettage MONOd' CT représentent la solution idéale pour équiper tous les types de machine outils avec une fixation de base HSK 63 et 100, ISO 26623-1 PSC, DIN AD+B et BT AD+B, en garantissant les avantages de la qualité élevée et du haut niveau de précision.

**I** I portautensili integrali a calettamento termico MONOd' CT rappresentano la soluzione ideale per attrezzare ogni tipo di macchina utensile con attacco base HSK 63 e 100, ISO 26623-1 PSC, DIN AD+B e BT AD+B, garantendo i vantaggi di elevata qualità e alto grado di precisione.

### DIN 69893 HSK-A63

CT

0.003

RPM 25.000

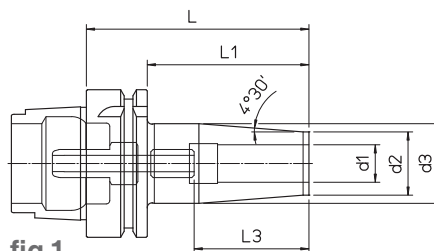


fig.1

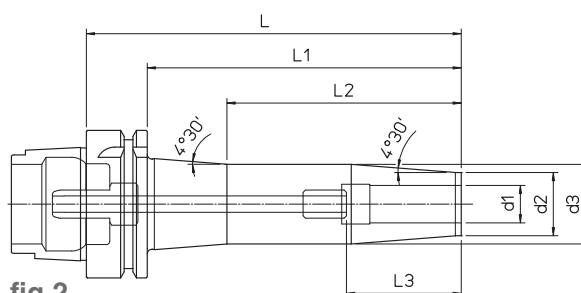
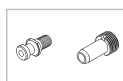


fig.2

- Supplied with coolant tube
- Lieferung inklusive Kühlmittelrohr
- Completo con racor para el refrigerante
- Pourvu de raccord pour liquide d'arrosage
- Completo di raccordo per il refrigerante

HSK-A	REF.	CODE	d1	d2	d3	L	L1	L2	L3	kg	fig.			
63	HSK-A63 CT06.80	71HСКА063CT0608	6	21	27	80	54	-	22 / 32	0.8	1			
	HSK-A63 CT06.120	71HСКА063CT0612				120	94			1				
	HSK-A63 CT06.160	71HСКА063CT0616				160	134			100		1.2		
	HSK-A63 CT08.80	71HСКА063CT0808	8			24	32	80	54	-	26 / 36	0.8	1	
	HSK-A63 CT08.120	71HСКА063CT0812						120	94			1		
	HSK-A63 CT08.160	71HСКА063CT0816						160	134			100		1.2
	HSK-A63 CT10.85	71HСКА063CT1008	10	27	34			85	59	-	31 / 41	0.9	1	
	HSK-A63 CT10.120	71HСКА063CT1012						120	94			1.1		
	HSK-A63 CT10.160	71HСКА063CT1016						160	134			100		1.4
	HSK-A63 CT12.90	71HСКА063CT1209	12			33	42	90	64	-	36 / 46	0.9	1	
	HSK-A63 CT12.120	71HСКА063CT1212						120	94			1.1		
	HSK-A63 CT12.160	71HСКА063CT1216						160	134			100		1.3
	HSK-A63 CT14.90	71HСКА063CT1409	14	44	53			90	64	-		39 / 49	0.9	1
	HSK-A63 CT14.120	71HСКА063CT1412						120	94				1.1	
	HSK-A63 CT14.160	71HСКА063CT1416						160	134				100	
	HSK-A63 CT16.95	71HСКА063CT1609	16			53	62	95	69	-	41 / 51		0.9	1
	HSK-A63 CT16.120	71HСКА063CT1612						120	94				1.1	
	HSK-A63 CT16.160	71HСКА063CT1616						160	134				100	
	HSK-A63 CT18.95	71HСКА063CT1809	18	62	71			95	69	-		47 / 57	1.1	1
	HSK-A63 CT18.120	71HСКА063CT1812						120	94				1.4	
	HSK-A63 CT18.160	71HСКА063CT1816						160	134				100	
	HSK-A63 CT20.100	71HСКА063CT2010	20			71	80	100	74	-	51 / 61		1.4	1
	HSK-A63 CT20.120	71HСКА063CT2012						120	94				1.3	
	HSK-A63 CT20.160	71HСКА063CT2016						160	134				100	
HSK-A63 CT25.120	71HСКА063CT2512	25	80	89	120			94	-	57 / 67		1.8	1	
HSK-A63 CT25.160	71HСКА063CT2516				160			134				2.5		



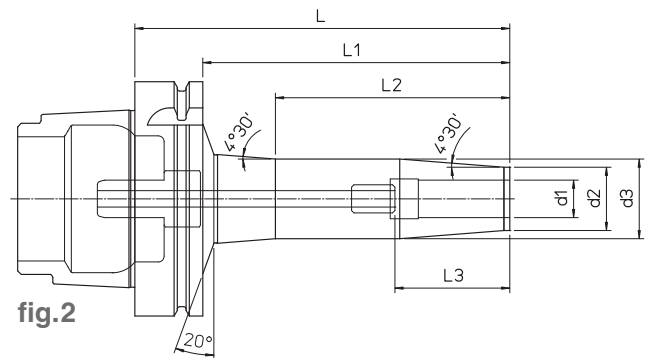
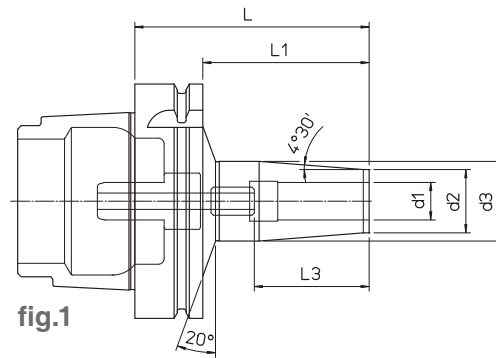
- SHRINK FIT CHUCKS
- SCHRUMPFSPANNFUTTER
- MANDRILA EMPALME TERMICO
- MANDRINS POUR FRETTAGE
- MANDRINI A CALETTAMENTO TERMICO

## DIN 69893 HSK-A100

CT

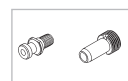
0.003

RPM 12.000



- Supplied with coolant tube
- Lieferung inklusive Kühlmittelrohr
- Completo con racor para el refrigerante
- Pourvu de raccord pour liquide d'arrosage
- Completo di raccordo per il refrigerante

HSK-A	REF.	CODE	d1	d2	d3	L	L1	L2	L3	kg	fig.		
100	HSK-A100 CT06.85	71HSKA100CT0608	6	21	27	85	56	-	22 / 32	2.2	1		
	HSK-A100 CT06.120	71HSKA100CT0612				120	91						
	HSK-A100 CT06.160	71HSKA100CT0616				160	131					100	
	HSK-A100 CT08.85	71HSKA100CT0808	8			24	32	85	56	-	26 / 36	2.2	1
	HSK-A100 CT08.120	71HSKA100CT0812						120	91				
	HSK-A100 CT08.160	71HSKA100CT0816						160	131				
	HSK-A100 CT10.90	71HSKA100CT1009	10	27	34	90	61	-	31 / 41	2.3	1		
	HSK-A100 CT10.120	71HSKA100CT1012				120	91						
	HSK-A100 CT10.160	71HSKA100CT1016				160	131					100	
	HSK-A100 CT12.95	71HSKA100CT1209	12	33	42	95	66	-	36 / 46	2.3	1		
	HSK-A100 CT12.120	71HSKA100CT1212				120	91						
	HSK-A100 CT12.160	71HSKA100CT1216				160	134					100	
	HSK-A100 CT14.95	71HSKA100CT1409	14	44	53	95	66	-	39 / 49	2.3	1		
	HSK-A100 CT14.120	71HSKA100CT1412				120	91						
	HSK-A100 CT14.160	71HSKA100CT1416				160	131					100	
	HSK-A100 CT16.100	71HSKA100CT1610	16	53	53	100	71	-	41 / 51	2.3	1		
	HSK-A100 CT16.120	71HSKA100CT1612				120	91						
	HSK-A100 CT16.160	71HSKA100CT1616				160	131					100	
	HSK-A100 CT18.100	71HSKA100CT1810	18	53	53	100	71	-	47 / 57	2.5	1		
	HSK-A100 CT18.120	71HSKA100CT1812				120	91						
	HSK-A100 CT18.160	71HSKA100CT1816				160	131					100	
	HSK-A100 CT20.120	71HSKA100CT2012	20	53	53	120	91	-	51 / 61	2.7	1		
	HSK-A100 CT20.160	71HSKA100CT2016				160	131					100	
	HSK-A100 CT25.120	71HSKA100CT2512	25	53	53	120	91	-	51 / 61	3.1	1		
HSK-A100 CT25.160	71HSKA100CT2516	160				131	100						
HSK-A100 CT32.120	71HSKA100CT3212	32	53	53	120	91	-	51 / 61	2.9	1			
HSK-A100 CT32.160	71HSKA100CT3216				160	131					100		



## ISO 26623-1 PSC63

CT

↗ 0.003

RPM 25.000

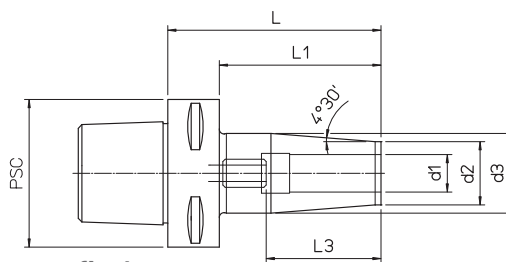


fig.1

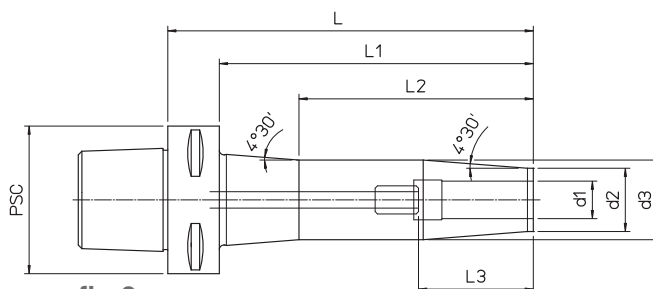


fig.2

PSC	REF.	CODE	d1	d2	d3	L	L1	L2	L3	kg	fig.			
63	PSC 63 CT06.80	71PSC-063CT0608	6	21	27	80	55	-	22 / 32	0.8	1			
	PSC 63 CT06.120	71PSC-063CT0612				120	95	-		1				
	PSC 63 CT06.160	71PSC-063CT0616				160	135	100		1.2		2		
	PSC 63 CT08.80	71PSC-063CT0808	8			24	32	80	55	-	26 / 36	0.8	1	
	PSC 63 CT08.120	71PSC-063CT0812						120	95	-		1		
	PSC 63 CT08.160	71PSC-063CT0816						160	135	100		1.2		2
	PSC 63 CT10.80	71PSC-063CT1008	10	27	34			80	55	-	31 / 41	0.9	1	
	PSC 63 CT10.120	71PSC-063CT1012						120	95	-		1.1		
	PSC 63 CT10.160	71PSC-063CT1016						160	135	100		1.4		2
	PSC 63 CT12.85	71PSC-063CT1208	12			33	42	85	60	-	36 / 46	0.9	1	
	PSC 63 CT12.120	71PSC-063CT1212						120	95	-		1.1		
	PSC 63 CT12.160	71PSC-063CT1216						160	135	100		1.3		2
	PSC 63 CT14.85	71PSC-063CT1408	14	44	53			85	60	-		39 / 49	0.9	1
	PSC 63 CT14.120	71PSC-063CT1412						120	95	-			1.1	
	PSC 63 CT14.160	71PSC-063CT1416						160	135	100			1.4	
	PSC 63 CT16.85	71PSC-063CT1608	16			47	57	85	60	-	41 / 51		0.9	1
	PSC 63 CT16.120	71PSC-063CT1612						120	95	-			1.1	
	PSC 63 CT16.160	71PSC-063CT1616						160	135	100			1.4	
	PSC 63 CT18.90	71PSC-063CT1809	18	50	60			90	65	-		47 / 57	1.1	1
	PSC 63 CT18.120	71PSC-063CT1812						120	95	-			1.4	
	PSC 63 CT18.160	71PSC-063CT1816						160	135	100			1.8	
	PSC 63 CT20.90	71PSC-063CT2009	20			53	63	90	65	-	51 / 61		1.4	1
	PSC 63 CT20.120	71PSC-063CT2012						120	95	-			1.3	
	PSC 63 CT20.160	71PSC-063CT2016						160	135	100			1.8	
PSC 63 CT25.120	71PSC-063CT2512	25	57	67	120			95	-	57 / 67		1.4	1	
PSC 63 CT25.160	71PSC-063CT2516				160			135	-			1.8		



- SHRINK FIT CHUCKS
- SCHRUMPFSPANNFUTTER
- MANDRILA EMPALME TERMICO
- MANDRINS POUR FRETTAGE
- MANDRINI A CALETTAMENTO TERMICO

## ISO 26623-1 PSC80

CT

↗ 0.003

RPM 12.000

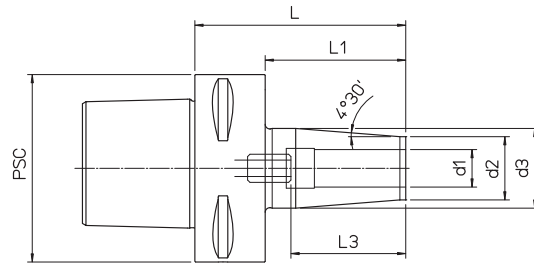


fig.1

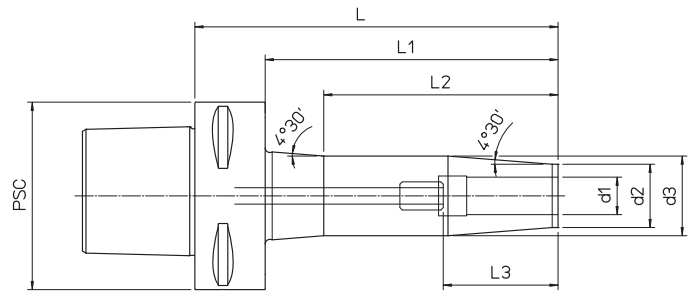


fig.2

PSC	REF.	CODE	d1	d2	d3	L	L1	L2	L3	kg	fig.			
80	PSC 80 CT06.80	71PSC-080CT0608	6	21	27	80	50	-	22 / 32	2.2	1			
	PSC 80 CT06.120	71PSC-080CT0612				120	90	2.4						
	PSC 80 CT06.160	71PSC-080CT0616				160	130	100		2.5		2		
	PSC 80 CT08.80	71PSC-080CT0808	8			24	32	80	50	-	26 / 36	2.2	1	
	PSC 80 CT08.120	71PSC-080CT0812						120	90	2.4				
	PSC 80 CT08.160	71PSC-080CT0816						160	130	100		2.5		2
	PSC 80 CT10.90	71PSC-080CT1009	10	27	34			90	60	-	31 / 41	2.3	1	
	PSC 80 CT10.120	71PSC-080CT1012						120	90	2.5				
	PSC 80 CT10.160	71PSC-080CT1016						160	130	100		2.7		2
	PSC 80 CT12.90	71PSC-080CT1209	12			33	42	90	60	-	36 / 46	2.3	1	
	PSC 80 CT12.120	71PSC-080CT1212						120	90	2.5				
	PSC 80 CT12.160	71PSC-080CT1216						160	130	100		2.7		2
	PSC 80 CT14.90	71PSC-080CT1409	14	44	53			90	60	-		39 / 49	2.3	1
	PSC 80 CT14.120	71PSC-080CT1412						120	90	2.5				
	PSC 80 CT14.160	71PSC-080CT1416						160	130	100			2.8	
	PSC 80 CT16.90	71PSC-080CT1609	16			55	64	90	60	-	41 / 51		2.3	1
	PSC 80 CT16.120	71PSC-080CT1612						120	90	2.5				
	PSC 80 CT16.160	71PSC-080CT1616						160	130	100			2.8	
	PSC 80 CT18.95	71PSC-080CT1809	18	66	75			95	65	-		47 / 57	2.5	1
	PSC 80 CT18.120	71PSC-080CT1812						120	90	2.8				
	PSC 80 CT18.160	71PSC-080CT1816						160	130	100			3.1	
	PSC 80 CT20.95	71PSC-080CT2009	20			77	86	95	65	-	51 / 61		2.5	1
	PSC 80 CT20.120	71PSC-080CT2012						120	90	2.8				
	PSC 80 CT20.160	71PSC-080CT2016						160	130	100			3.1	
PSC 80 CT25.120	71PSC-080CT2512	25	88	97	120			90	-	57 / 67		3.1	1	
PSC 80 CT25.160	71PSC-080CT2516				160			130	100			3.8		2
PSC 80 CT32.120	71PSC-080CT3212	32			99			108	120			90	-	61 / 71
PSC 80 CT32.160	71PSC-080CT3216					160	130		100		3.5	2		

215





### DIN 69871 AD+B40

CT

0.003

RPM 25.000

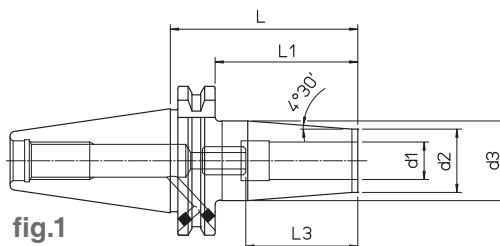


fig.1

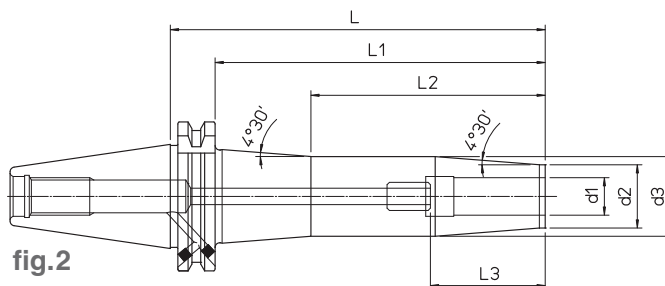
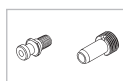


fig.2

DIN	REF.	CODE	d <sub>1</sub>	d <sub>2</sub>	d <sub>3</sub>	L	L <sub>1</sub>	L <sub>2</sub>	L <sub>3</sub>	kg	fig.			
40	DIN69871-AD+B40 CT06.80	71DIN-B40CT0608	6	21	27	80	61	-	22 / 32	0.8	1			
	DIN69871-AD+B40 CT06.120	71DIN-B40CT0612				120	101	-		1				
	DIN69871-AD+B40 CT06.160	71DIN-B40CT0616				160	141	100		1.2				
	DIN69871-AD+B40 CT08.80	71DIN-B40CT0808	8			24	32	80	61	-	26 / 36	0.8	1	
	DIN69871-AD+B40 CT08.120	71DIN-B40CT0812						120	101	-		1		
	DIN69871-AD+B40 CT08.160	71DIN-B40CT0816						160	141	100		1.2		
	DIN69871-AD+B40 CT10.80	71DIN-B40CT1008	10	24	32	80	61	-	31 / 41	0.9	1			
	DIN69871-AD+B40 CT10.120	71DIN-B40CT1012				120	101	-		1.1				
	DIN69871-AD+B40 CT10.160	71DIN-B40CT1016				160	141	100		1.4				
	DIN69871-AD+B40 CT12.80	71DIN-B40CT1208	12			27	34	80	61	-	36 / 46	0.9	1	
	DIN69871-AD+B40 CT12.120	71DIN-B40CT1212						120	101	-		1.1		
	DIN69871-AD+B40 CT12.160	71DIN-B40CT1216						160	141	100		1.3		
	DIN69871-AD+B40 CT14.80	71DIN-B40CT1408	14	27	34	80	61	-	39 / 49	0.9		1		
	DIN69871-AD+B40 CT14.120	71DIN-B40CT1412				120	101	-		1.1				
	DIN69871-AD+B40 CT14.160	71DIN-B40CT1416				160	141	100		1.4				
	DIN69871-AD+B40 CT16.80	71DIN-B40CT1608	16			33	42	80	61	-	41 / 51	0.9	1	
	DIN69871-AD+B40 CT16.120	71DIN-B40CT1612						120	101	-		1.1		
	DIN69871-AD+B40 CT16.160	71DIN-B40CT1616						160	141	100		1.4		
	DIN69871-AD+B40 CT18.80	71DIN-B40CT1808	18	20	42			80	61	-		47 / 57	1.1	1
	DIN69871-AD+B40 CT18.120	71DIN-B40CT1812						120	101	-			1.4	
DIN69871-AD+B40 CT18.160	71DIN-B40CT1816	160						141	100	1.8				
DIN69871-AD+B40 CT20.80	71DIN-B40CT2008	20	33			42	80	61	-	41 / 51	1.4		1	
DIN69871-AD+B40 CT20.120	71DIN-B40CT2012						120	101	-		1.3			
DIN69871-AD+B40 CT20.160	71DIN-B40CT2016						160	141	100		1.8			
DIN69871-AD+B40 CT25.100	71DIN-B40CT2510	25		44	53		100	81	-		47 / 57	1.8	1	



- SHRINK FIT CHUCKS
- SCHRUMPFSPANNFUTTER
- MANDRILA EMPALME TERMICO
- MANDRINS POUR FRETTAGE
- MANDRINI A CALETTAMENTO TERMICO

## DIN 69871 AD+B50

CT

0.003

RPM 12.000

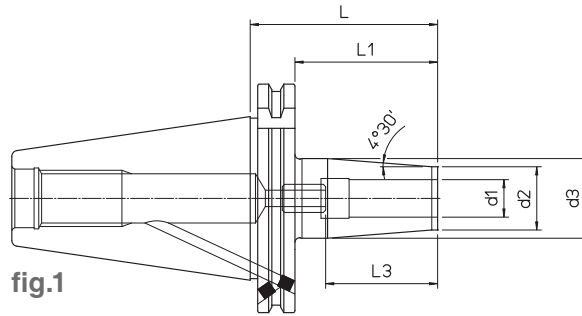


fig.1

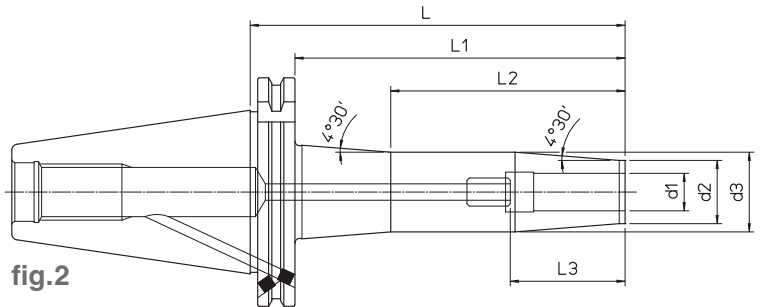
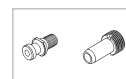


fig.2

DIN	REF.	CODE	d1	d2	d3	L	L1	L2	L3	kg	fig.
50	DIN69871-AD+B50 CT06.80	71DIN-B50CT0608	6	21	27	80	61	-	22 / 32	2.2	1
	DIN69871-AD+B50 CT06.120	71DIN-B50CT0612				120	101	2.4			
	DIN69871-AD+B50 CT06.160	71DIN-B50CT0616				160	141	100	2.5	2	
	DIN69871-AD+B50 CT08.80	71DIN-B50CT0808	8	24	32	80	61	-	26 / 36	2.2	1
	DIN69871-AD+B50 CT08.120	71DIN-B50CT0812				120	101	2.4			
	DIN69871-AD+B50 CT08.160	71DIN-B50CT0816				160	141	100	2.5	2	
	DIN69871-AD+B50 CT10.80	71DIN-B50CT1008	10	27	34	80	61	-	31 / 41	2.3	1
	DIN69871-AD+B50 CT10.120	71DIN-B50CT1012				120	101	2.5			
	DIN69871-AD+B50 CT10.160	71DIN-B50CT1016				160	141	100	2.7	2	
	DIN69871-AD+B50 CT12.80	71DIN-B50CT1208	12	33	42	80	61	-	36 / 46	2.3	1
	DIN69871-AD+B50 CT12.120	71DIN-B50CT1212				120	101	2.5			
	DIN69871-AD+B50 CT12.160	71DIN-B50CT1216				160	141	100	2.7	2	
	DIN69871-AD+B50 CT14.80	71DIN-B50CT1408	14	34	42	80	61	-	39 / 49	2.3	1
	DIN69871-AD+B50 CT14.120	71DIN-B50CT1412				120	101	2.5			
	DIN69871-AD+B50 CT14.160	71DIN-B50CT1416				160	141	100	2.8	2	
	DIN69871-AD+B50 CT16.80	71DIN-B50CT1608	16	44	53	80	61	-	41 / 51	2.3	1
	DIN69871-AD+B50 CT16.120	71DIN-B50CT1612				120	101	2.5			
	DIN69871-AD+B50 CT16.160	71DIN-B50CT1616				160	141	100	2.8	2	
	DIN69871-AD+B50 CT18.80	71DIN-B50CT1808	18	44	53	80	61	-	47 / 57	2.5	1
	DIN69871-AD+B50 CT18.120	71DIN-B50CT1812				120	101	2.8			
	DIN69871-AD+B50 CT18.160	71DIN-B50CT1816				160	141	100	3.1	2	
	DIN69871-AD+B50 CT20.80	71DIN-B50CT2008	20	53	53	80	61	-	51 / 61	2.5	1
	DIN69871-AD+B50 CT20.120	71DIN-B50CT2012				120	101	2.8			
	DIN69871-AD+B50 CT20.160	71DIN-B50CT2016				160	141	100	3.1	2	
DIN69871-AD+B50 CT25.120	71DIN-B50CT2512	25	53	53	120	101	-	47 / 57	3.1	1	
DIN69871-AD+B50 CT25.160	71DIN-B50CT2516				160	141	100		3.8		2
DIN69871-AD+B50 CT32.120	71DIN-B50CT3212	32	53	53	120	101	-	51 / 61	2.9	1	
DIN69871-AD+B50 CT32.160	71DIN-B50CT3216				160	141	100		3.5		2





## MAS 403 BT40 AD+B

CT

0.003

RPM 25.000

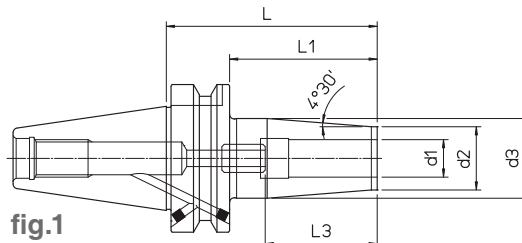


fig.1

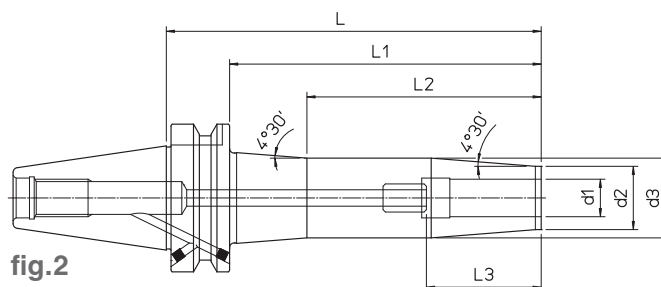


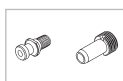
fig.2

DIN	REF.	CODE	d1	d2	d3	L	L1	L2	L3	kg	fig.
40	MAS403 BT40-AD+B CT06.90	71MBT-B40CT0609	6	21	27	90	63	-	22 / 32	0.8	1
	MAS403 BT40-AD+B CT06.120	71MBT-B40CT0612				120	93	1.1			
	MAS403 BT40-AD+B CT06.160	71MBT-B40CT0616				160	133	100		1.2	
	MAS403 BT40-AD+B CT08.90	71MBT-B40CT0809	8	21	27	90	63	-	26 / 36	0.8	1
	MAS403 BT40-AD+B CT08.120	71MBT-B40CT0812				120	93	1.1			
	MAS403 BT40-AD+B CT08.160	71MBT-B40CT0816				160	133	100		1.2	
	MAS403 BT40-AD+B CT10.90	71MBT-B40CT1009	10	24	32	90	63	-	31 / 41	0.9	1
	MAS403 BT40-AD+B CT10.120	71MBT-B40CT1012				120	93	1.1			
	MAS403 BT40-AD+B CT10.160	71MBT-B40CT1016				160	133	100		1.4	
	MAS403 BT40-AD+B CT12.90	71MBT-B40CT1209	12	24	32	90	63	-	36 / 46	0.9	1
	MAS403 BT40-AD+B CT12.120	71MBT-B40CT1212				120	93	1.1			
	MAS403 BT40-AD+B CT12.160	71MBT-B40CT1216				160	133	100		1.3	
	MAS403 BT40-AD+B CT14.90	71MBT-B40CT1409	14	27	34	90	63	-	36 / 46	0.9	1
	MAS403 BT40-AD+B CT14.120	71MBT-B40CT1412				120	93	1.1			
	MAS403 BT40-AD+B CT14.160	71MBT-B40CT1416				160	133	100		1.4	
	MAS403 BT40-AD+B CT16.90	71MBT-B40CT1609	16	27	34	90	63	-	39 / 49	0.9	1
	MAS403 BT40-AD+B CT16.120	71MBT-B40CT1612				120	93	1.1			
	MAS403 BT40-AD+B CT16.160	71MBT-B40CT1616				160	133	100		1.4	
	MAS403 BT40-AD+B CT18.90	71MBT-B40CT1809	18	33	42	90	63	-	39 / 49	1.1	1
	MAS403 BT40-AD+B CT18.120	71MBT-B40CT1812				120	93	1.4			
MAS403 BT40-AD+B CT18.160	71MBT-B40CT1816	160				133	100	1.8			
MAS403 BT40-AD+B CT20.90	71MBT-B40CT2009	20	33	42	90	63	-	41 / 51	1.4	1	
MAS403 BT40-AD+B CT20.120	71MBT-B40CT2012				120	93	1.3				
MAS403 BT40-AD+B CT20.160	71MBT-B40CT2016				160	133	100		1.8		
MAS403 BT40-AD+B CT25.100	71MBT-B40CT2510	25	44	53	100	73	-	47 / 57	1.8	1	

249

240

223



- SHRINK FIT CHUCKS
- SCHRUMPFSPANNFUTTER
- MANDRILA EMPALME TERMICO
- MANDRINS POUR FRETTAGE
- MANDRINI A CALETTAMENTO TERMICO

## MAS 403 BT50 AD+B

CT

0.003

RPM 12.000

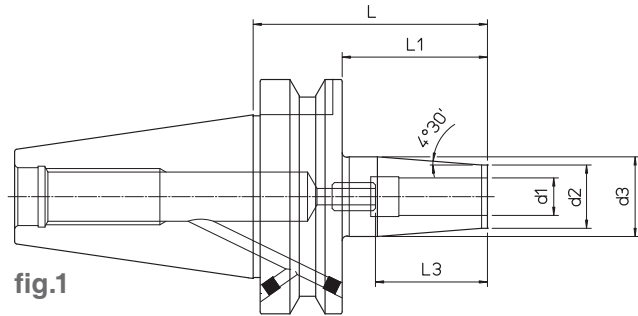


fig.1

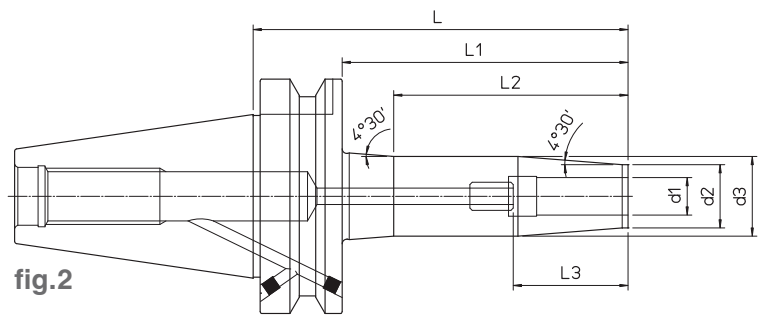
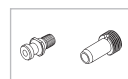


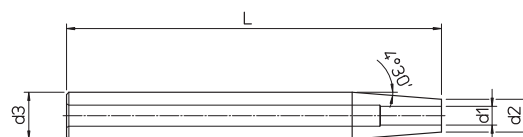
fig.2

DIN	REF.	CODE	d1	d2	d3	L	L1	L2	L3	kg	fig.
50	MAS403 BT50-AD+B CT06.100	71MBT-B50CT0610	6	21	27	100	62	-	22 / 32	2.2	1
	MAS403 BT50-AD+B CT06.160	71MBT-B50CT0616				160	122	100		2.5	2
	MAS403 BT50-AD+B CT08.100	71MBT-B50CT0810	8			100	62	-	26 / 36	2.2	1
	MAS403 BT50-AD+B CT08.160	71MBT-B50CT0816				160	122	100		2.5	2
	MAS403 BT50-AD+B CT10.100	71MBT-B50CT1010	10	24	32	100	62	-	31 / 41	2.3	1
	MAS403 BT50-AD+B CT10.160	71MBT-B50CT1016				160	122	100		2.7	2
	MAS403 BT50-AD+B CT12.100	71MBT-B50CT1210	12			100	62	-	36 / 46	2.3	1
	MAS403 BT50-AD+B CT12.160	71MBT-B50CT1216				160	122	100		2.7	2
	MAS403 BT50-AD+B CT14.100	71MBT-B50CT1410	14	27	34	100	62	-	39 / 49	2.3	1
	MAS403 BT50-AD+B CT14.160	71MBT-B50CT1416				160	122	100		2.8	2
	MAS403 BT50-AD+B CT16.100	71MBT-B50CT1610	16			100	62	-	41 / 51	2.3	1
	MAS403 BT50-AD+B CT16.160	71MBT-B50CT1616				160	122	100		2.8	2
	MAS403 BT50-AD+B CT18.100	71MBT-B50CT1810	18	33	42	100	62	-	47 / 57	2.5	1
	MAS403 BT50-AD+B CT18.160	71MBT-B50CT1816				160	122	100		3.1	2
	MAS403 BT50-AD+B CT20.120	71MBT-B50CT2012	20			120	82	-	51 / 61	2.8	1
	MAS403 BT50-AD+B CT20.160	71MBT-B50CT2016				160	122	100		3.1	2
	MAS403 BT50-AD+B CT25.120	71MBT-B50CT2512	25	44	53	120	82	-	51 / 61	3.1	1
	MAS403 BT50-AD+B CT25.160	71MBT-B50CT2516				160	122	100		3.8	2
	MAS403 BT50-AD+B CT32.120	71MBT-B50CT3212	32			120	82	-	51 / 61	2.9	1
	MAS403 BT50-AD+B CT32.160	71MBT-B50CT3216				160	122	100		3.5	2



- SHRINK FIT EXTENSIONS
- SCHRUMPFVERLÄNGERUNGEN
- ENCHUFE ALARGADOR CON ACOPLAMIENTO TÉRMICO.
- RALLONGES À FRETTAGE THERMIQUE
- PROLUNGHE A CALETTAMENTO TERMICO

PR CT N

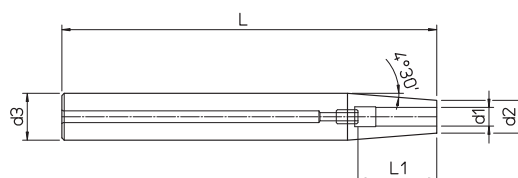


REF.	CODE	d1	d2	d3	L	kg
PR.CT.N D12.03.160	49DC11612030	3	8	12	160	0.09
PR.CT.N D12.04.160	49DC11612040	4				
PR.CT.N D16.03.160	49DC11616030	3	10	16		0.14
PR.CT.N D16.04.160	49DC11616040	4				
PR.CT.N D16.05.160	49DC11616050	5				
PR.CT.N D16.06.160	49DC11616060	6	12	16		0.15
PR.CT.N D16.08.160	49DC11616080	8				
PR.CT.N D20.05.160	49DC11620050	5	14	20		0.16
PR.CT.N D20.06.160	49DC11620060	6				
PR.CT.N D20.08.160	49DC11620080	8				
PR.CT.N D20.10.160	49DC11620100	10	16	20		0.27
PR.CT.N D20.12.160	49DC11620120	12				
PR.CT.N D20.10.160	49DC11620100	10	18	20	0.26	
PR.CT.N D20.12.160	49DC11620120	12				



- SHRINK FIT EXTENSIONS WITH AXIAL ADJUSTMENT
- SCHRUMPFVERLÄNGERUNG MIT AXIALER EINSTELLUNG
- ENCHUFE ALARGADOR CON ACOPLAMIENTO TÉRMICO DE REGULACIÓN AXIAL
- RALLONGES À FRETTAGE THERMIQUE À RÉGLAGE AXIAL
- PROLUNGHE A CALETTAMENTO TERMICO A REGOLAZIONE ASSIALE

PR CT R



REF.	CODE	d1	d2	d3	L	L1	kg	
PR.CT.R D16.06.130	49DC21316060	6	10	16	130	22 / 32	0.18	
PR.CT.R D16.06.160	49DC21616060				160		0.17	
PR.CT.R D20.06.130	49DC21320060	8	14	20	130	26 / 36	0.20	
PR.CT.R D20.08.130	49DC21320080						0.25	
PR.CT.R D20.06.160	49DC21620060				6	160	22 / 32	0.33
PR.CT.R D20.08.160	49DC21620080				8		26 / 36	0.32
PR.CT.R D25.10.130	49DC21325100	10	20	25	130	31 / 41	0.40	
PR.CT.R D25.12.130	49DC21325120	12				36 / 46	0.37	
PR.CT.R D25.16.130	49DC21325160	16	22	25	130	39 / 49	0.32	
PR.CT.R D25.08.160	49DC21625080	8	19			26 / 36	0.53	
PR.CT.R D25.10.160	49DC21625100	10	20	25	160	31 / 41	0.51	
PR.CT.R D25.12.160	49DC21625120	12				36 / 46	0.48	
PR.CT.R D25.14.160	49DC21625140	14	22	25	160	39 / 49	0.47	
PR.CT.R D25.16.160	49DC21625160	16					0.43	
PR.CT.R D25.08.200	49DC22025080	8	19	25	200	26 / 36	0.67	
PR.CT.R D25.10.200	49DC22025100	10	20			31 / 41	0.64	
PR.CT.R D25.12.200	49DC22025120	12		36 / 46	0.60			
PR.CT.R D25.16.200	49DC22025160	16	22	25	200	39 / 49	0.52	
PR.CT.R D32.16.160	49DC21632160						0.78	
PR.CT.R D32.18.160	49DC21632180	18	27	32	160	41 / 51	0.77	
PR.CT.R D32.20.160	49DC21632200	20					0.67	
PR.CT.R D32.16.200	49DC22032160	16	27	32	200	39 / 49	1.81	
PR.CT.R D32.20.200	49DC22032200	20					41 / 51	0.87

221

